

PPS50

CONDUCTIVE PLASTIC POTENTIOMETER

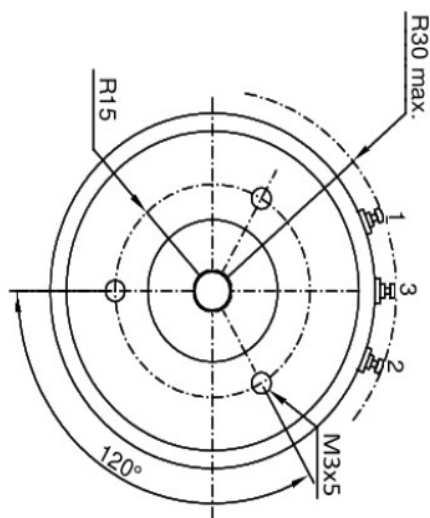
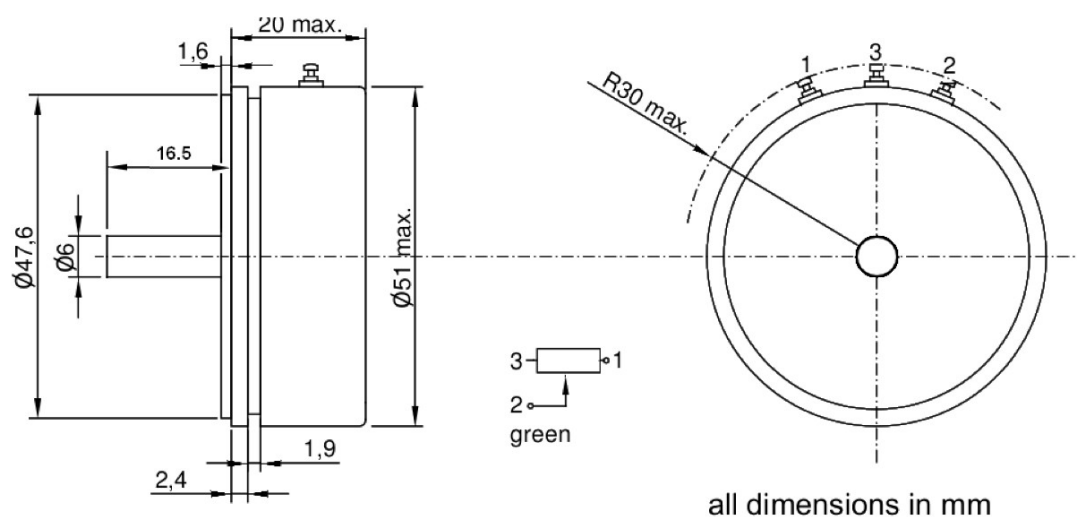
Application :

- The PPS50 is ideally suitable as angular rotational position sensor.
- It shall be used only in a voltage divider circuit.
- Special shaped and lengths of front and rear shaft, electrical angle of 90° and 180°, special tolerances are available as options.



- Robust metal body
- Long life (30x10⁶ revolutions)

Dimensions :



Electrical characteristics

Resistance element	Conductive plastic
Standard resistance value (Ω)	1k, 5k, 10k
Standard resistance tolerance (%)	(typ. IEC 60393) ± 15
Standard linearity tolerance (%)	(typ. IEC 60393) $\pm 0,2$
Best independent linearity tolerance (%)	(typ. IEC 60393) $\pm 0,05$
Resolution	Quasi infinite
Power rating (+70°C)	2 W
Electrical travel	355° $\pm 5^\circ$
Wiper current	<1mA (1 μ A recommended)
Dielectric strength	500 VAC
Insulation resistance	1000 M Ω / 500 VDC

Mechanical characteristics

Mechanical angle	360° without stops
Starting torque	≤ 0.2 Ncm
Lifespan	30x10 ⁶ revolutions
Bearing	2 ball bearings
Operating temperature	-55°C à +125°C
Housing	Anodized aluminium
Axis	Stainless steel
Connections	Brass, gold plated

Options :

- Special shaft
- Special electrical angle
- Special linearity
- Optional mounting kit : Bag of 3 SFN1 fixing nails (to be specified when ordering)