

# PPS36

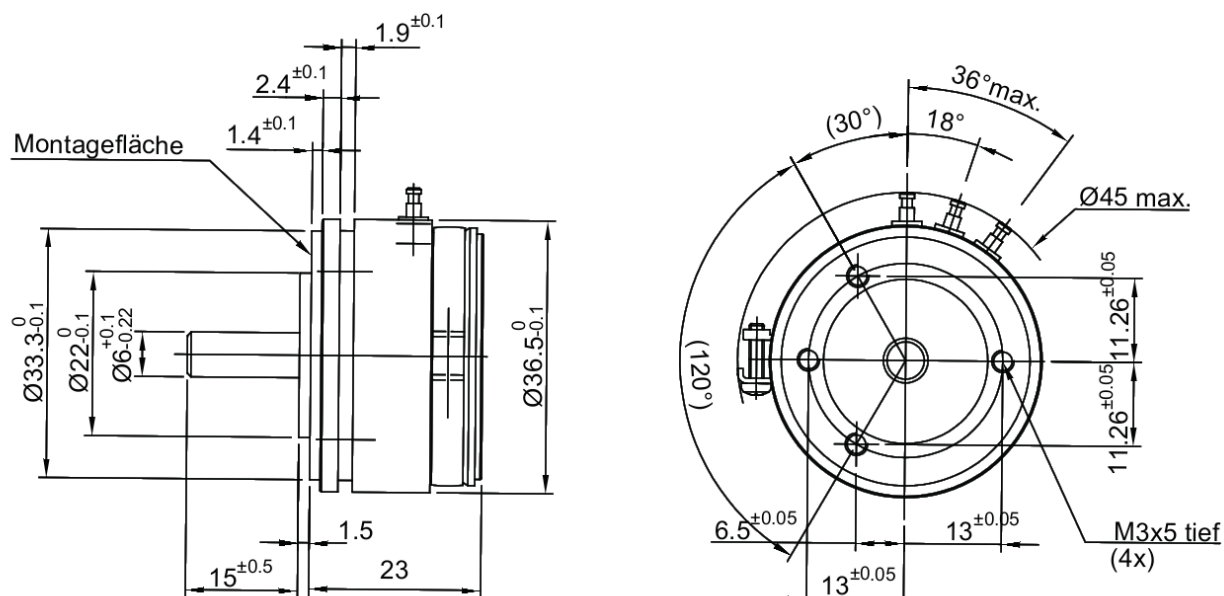
## CONDUCTIVE PLASTIC POTENTIOMETER

- The servomount precision potentiometers of the PPS36 serie are among the most economical rotary sensors available on the market.
- Very long life, even at high speed thanks to a precious metal wiper and ball bearings.
- Many mechanical options on volume are possible. Standard values 5k $\Omega$  and 10k $\Omega$  are available in short time.
- Possible dual-Gang and rear shaft extension



- Long life (30x10<sup>6</sup> revolutions)
- 2 ball bearings
- Metal design

### Dimensions :



### Options :

- Special resistance value
- Special shaft (S)

## Electrical characteristics

Resistance element	Conductive plastic
Standard resistance value ( $\Omega$ )	1k, 5k, 10k
Standard resistance tolerance (%)	(typ. IEC 60393) $\pm 15$
Standard linearity tolerance (%)	(typ. IEC 60393) $\pm 0.1$
Resolution	Quasi infinite
Power rating (+70°C)	2 W
Electrical travel	$345^\circ \pm 5^\circ$
Wiper current	<1mA (1 $\mu$ A recommended)
Output smoothness	<0.1 %
Dielectric strength	500 VAC
Insulation resistance	1000 M $\Omega$ / 500 VDC

## Mechanical characteristics

Mechanical angle	360° continuous
Starting torque	$\leq 0.3$ Ncm
Lifespan	30x10 <sup>6</sup> revolutions
Temperature coefficient	400 ppm/°c
Bearing	2 ball bearings
Operating temperature	-55°C à +125°C
Housing	Anodized aluminium
Axis	Stainless steel
Connections	Brass, gold plated

**Optional mounting kit** : Bag of 3 SFN2 fixing nails (to be specified when ordering)