

Application:

- Long life servo-mount rotary position sensor for preset and feedback applications in small instruments and machines.
- Mechanical modifications in production quantities possible.
- Ball bearings, extremely smooth resistance track together with precision multi-finger wiper ensure a high resolution in voltage divider circuits.



- Anodized aluminium housing
- 2 ball bearings
- Long lifespan



Option : Rear shaft

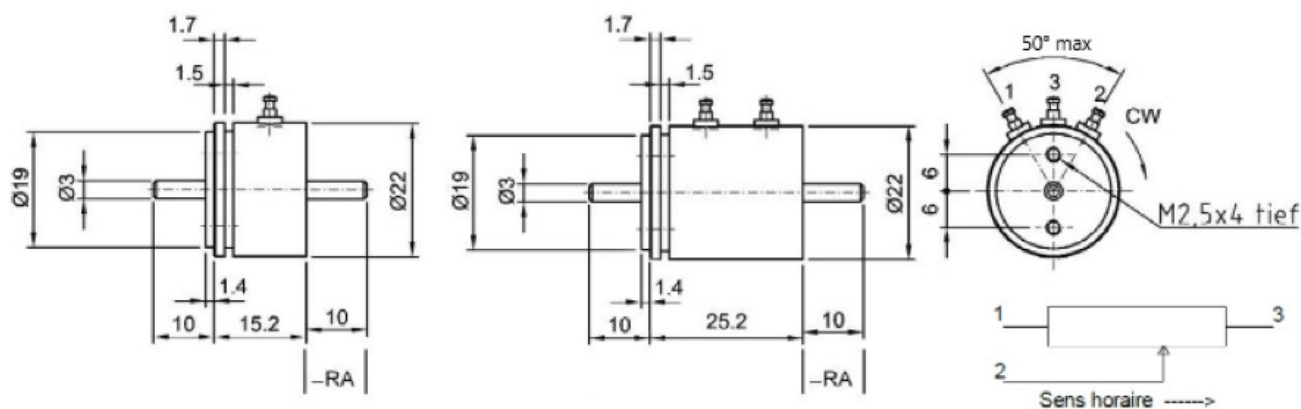


Option : Tandem



Options : Rear shaft +
tandem

Dimensions :



Electrical characteristics

Resistance element	Conductive plastic
Standard resistance value (Ω)	1k, 5k, 10K
Standard resistance tolerance (%)	(typ. IEC 60393) ± 15
Standard linearity tolerance (%)	(typ. IEC 60393) $\pm 0,5$
Resolution	Infinite
Power rating (+70°C)	1 W
Electrical travel	320° $\pm 4^\circ$
Wiper current	<1mA (1 μ A recommended)
Output smoothness	<0.1 %
Dielectric strength	500 VAC
Insulation resistance	500 M Ω / 500 VDC
Contact Resistance Variation	< 2% C.R.V

Mechanical characteristics

Mechanical angle	360° without stop
Starting torque	(typ. IEC 60393) 0.3N/cm
Rotational life (shaft revolutions)	20x10 ⁶
Max operating speed	400 rpm
Bearing	2 ball bearings
Operating temperature	-55°C à +125°C
Housing	Anodized aluminium
Axis	Stainless steel
Connections	Brass, gold plated

Optional mounting kit : Bag of 3 SFN2 fixing nails (to be specified when ordering)