

PPS13A

CONDUCTIVE PLASTIC POTENTIOMETER

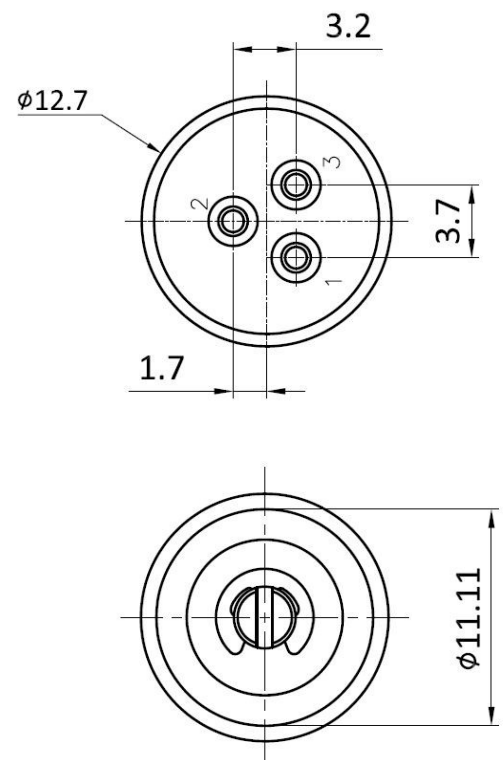
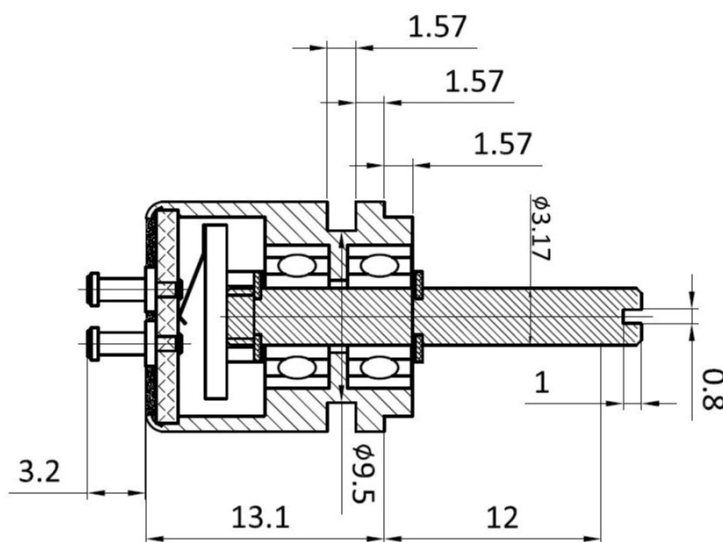
Application:

- This high resolution plastic track potentiometer is widely used in many industrial or medical systems due to its miniature size.



- Miniature size
- High Lifespan
- Servo mount

Dimensions:



Electrical characteristics

Resistance element	Conductive plastic
Resistance range (Ω)	1K, 5K, 10K
Resistance tolerance (%)	± 20
Linearity tolerance (%)	± 2
Resolution	Quasi infinite
Power rating (+70°C)	0.2 W
Electrical angle	$340^\circ \pm 10^\circ$
Max wiper current	1mA
Dielectric strength	500 VAC / 1 min.
Insulation resistance	1000 M Ω / 500 VDC

Mechanical characteristics

Mechanical angle	360° continuous
Starting torque	2 Ncm
Lifespan	5x10 ⁶ revolutions
Bearing	Ball bearing
Operating temperature	-40°C.....+85°C
Housing	Anodized aluminum
Axis	Stainless steel
Connections	Brass gold plated

Order code

PPS13A	5k	20 %	2 %
Model	Resistance	Tolerance	Linearity