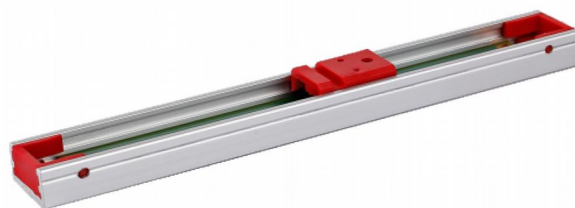


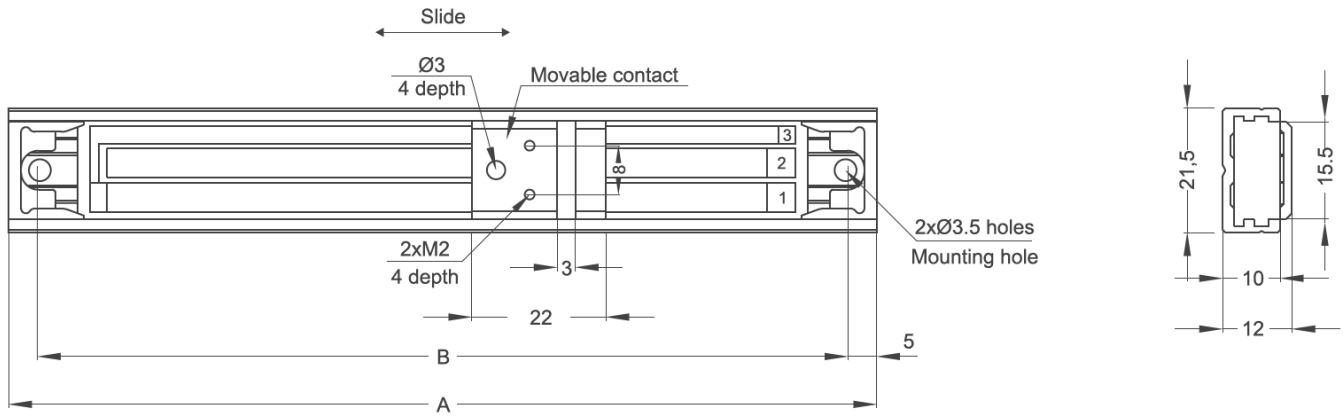
The MOPH series potentiometers are suitable for all applications where high expectancy life and low profile are required.

The resistive track is glued in a robust aluminium housing. The wiper can be fixed directly to the moving part of the customer mechanism.



- Stroke 50 to 1000 mm
- Life expec. 100 000 000 movements
- Repeatability < 0,01 mm

Specifications	
Stroke	50 to 1000 mm
Linearity	±0,05 % (>200mm), ±0,1 % (130-200 mm), ±0,2 % (75-130 mm), ±0,5 % (<75mm)
Repetability	< 0,01 mm
Resolution	Infinite
Resistance	5 kΩ (<650 mm), 10kΩ (>650 mm)
Tolerance	±20 %
Load resistance	>100 kΩ
Recommended cursor current	< 1µA
Maximum voltage	28 VDC
Displacement speed	< 5 m/s
Mechanical life	100 000 000 movements
Dimensions	21,5 x 10 mm
Case material	Anodized aluminium
IP degree	IP 0
Operating temperature	-20°C ... +80°C
Storage temperature	-30°C ... +90°C



Stroke (mm)	50	100	150	200	250	300	350	400	450	500	550	600	650	700	750	800	850	900	1000
A±1 mm	100	150	200	250	300	350	400	450	500	550	600	650	700	750	800	850	900	950	1050
B±0,5 mm	90	140	190	240	290	340	390	440	490	540	590	640	690	740	790	840	890	940	1040

Order code			
Model	Stroke (mm)	Linearity (%)	Resistance (kΩ)
MOPH	50 ... 1000	±0,05 % (>200mm) ±0,1 % (130-200 mm) ±0,2 % (75-130 mm) ±0,5 % (<75mm)	5 kΩ (<650 mm) 10kΩ (>650 mm)