

# SERIES KMB38

## BUTTON LOAD CELLS

### GENERAL SPECIFICATION

- The KMB38 series of [force transducers](#) are miniature sensors specially designed for applications where space is at a premium. They are available with a measuring range independent of the measuring body and are suitable for use in industrial environments due to their IP64 protection.



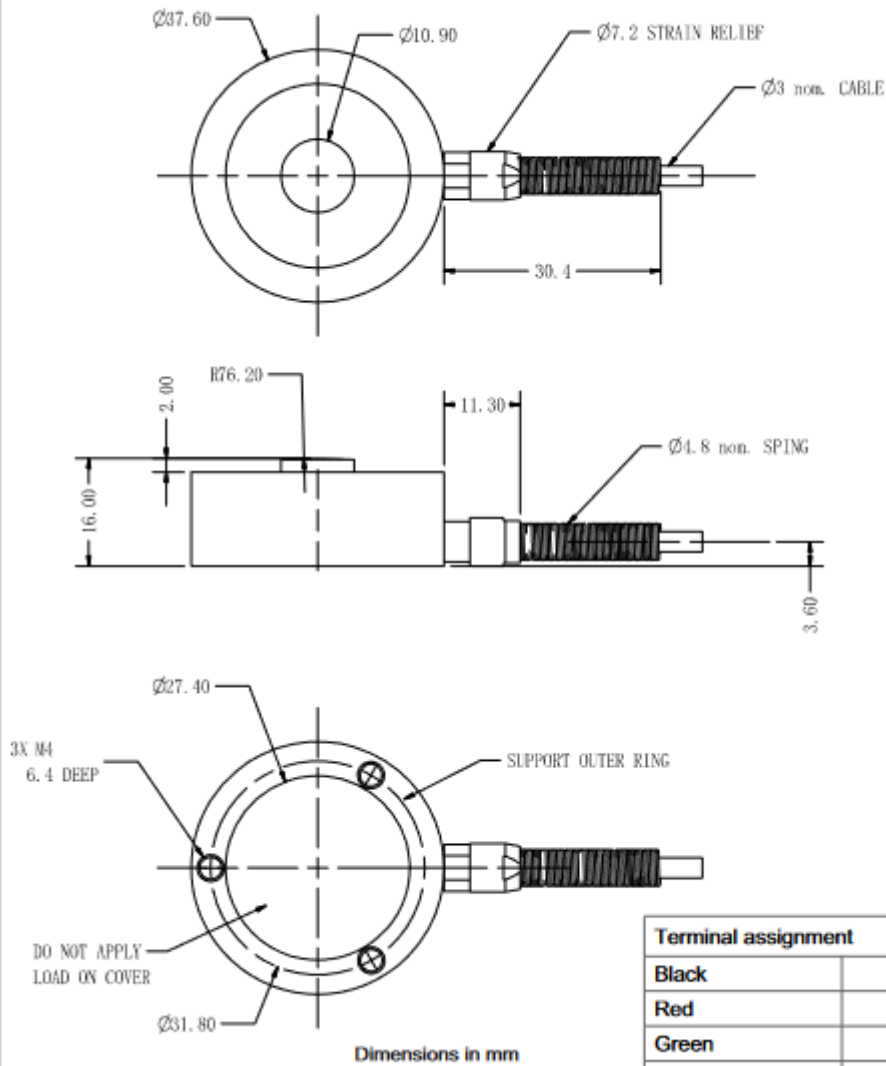
- Strain gauge full bridge
- Protection IP64
- Stainless steel
- Test protocol included
- Measuring range of 0..20 kN and 0..40 kN

KMB38 Specifications		
Rated force (F <sub>nom.</sub> )	20KN	40KN
Rated characteristic value	2,0 mV / V	
Relative error of characteristic value	≤ 15% of rated output	
Relative repeatability error	≤ 0,05 % F <sub>nom.</sub>	
Relative reversibility error	≤ 0,5% of rated output	
Relative linearity error	≤ 0,5% of rated output	
Relative deviation of zero signal	≤ 0,1% of rated output	
Input resistance	700 ± 10 Ω	
Output resistance	700 ± 10 Ω	
Insulation resistance	≥ 500 MΩ @ 50 V DC	
Maximum operating force	≤ 150% of rated force	
Rated range of excitation voltage	10 VDC / AC	
Operating range of excitation voltage	≤ 20 VDC / AC	
Rated temperature range	-50°C .. +90°C	
Operating temperature range	0°C .. +70°C	
Protection	IP64	
Temperature effect on characteristic value	≤ 0,36% of rated output / 10 K	
Temperature effect on zero signal	≤ 0,18% of rated output / 10 K	
Creep under load	≤ 0,5% of rated output	
Cable dimension	4 x AWG26, cable shielded	
Cable length from body	ca. 3 m	
Body material	Stainless steel (17-4 PH)	
Mass	ca. 90 g	

Order code			
Series	KMB38		
Cable 3m		K	
Rated force			20KN 40KN

\*Accessories (not included in delivery) /Measuring amplifier IMA2 DMS

**DRAWING/**



Terminal assignment	
Black	- Supply
Red	+ Supply
Green	+ Output
White	- Output